

International Conference on Engineering and Technology Development



3rd ICETD 2014

28, 29 October 2014, Bandar Lampung, Indonesia

Hosted By :

Faculty of Engineering and Faculty of Computer Science
Bandar Lampung University, Indonesia



In cooperation
with :



THE UNIVERSITY OF KITAKYUSHU



الجامعة الإسلامية العالمية
INTERNATIONAL ISLAMIC UNIVERSITY MALAYSIA
بوتانسيه الاسلاميه العالمية

3rd ICETD 2014

THE THIRD INTERNATIONAL CONFERENCE
ON ENGINEERING AND TECHNOLOGY DEVELOPMENT

28 -29 October 2014
Bandar Lampung University (UBL)
Lampung, Indonesia

PROCEEDINGS

Organized by:



Faculty of Computer Science and Faculty of Engineering
Bandar Lampung University (UBL)
Jl. Zainal Abidin Pagar Alam No.26 Labuhan Ratu, Bandar Lampung, Indonesia
Phone: +62 721 36 666 25, Fax: +62 721 701 467
website : www.ubl.ac.id

PREFACE

The Activities of the International Conference is in line and very appropriate with the vision and mission of Bandar Lampung University (UBL) to promote training and education as well as research in these areas.

On behalf of the Second International Conference on Engineering and Technology Development (3rd ICETD 2014) organizing committee, we are very pleased with the very good response especially from the keynote speaker and from the participans. It is noteworthy to point out that about 80 technical papers were received for this conference.

The participants of the conference come from many well known universities, among others : University Kebangsaan Malaysia – Malaysia, IEEE – Indonesia, Institut Teknologi sepuluh November – Indonesia, Surya Institute – Indonesia, International Islamic University – Malaysia, STMIK Mitra Lampung – lampung, Bandung Institut of Technology – Bandung, Lecture of The Malahayati University, B2TP – BPPT Researcher – lampung, University of Kitakyushu – Japan, Gadjah Mada University – Indonesia, Universitas Malahayati – Lampung, Lampung University – lampung,

I would like to express my deepest gratitude to the International Advisory Board members, sponsor and also to all keynote speakers and all participants. I am also gratefull to all organizing committee and all of the reviewers who contribute to the high standard of the conference. Also I would like to express my deepest gratitude to the Rector of Bandar Lampung University (UBL) who give us endless support to these activities, so that the conference can be administrated on time

Bandar Lampung, 22 October 2014

Mustofa Usman, Ph.D
3rd ICETD Chairman

PROCEEDINGS

3rd ICETD 2014

The Third International Conference
On Engineering And Technology Development

28 -29 October2014

INTERNATIONAL ADVISORY BOARD

Y. M Barusman, Indonesia

Ahmad F. Ismail, Malaysia

Mustofa Usman, Indonesia

Moses L. Singgih, Indonesia

Andreas Dress, Germany

Faiz A.M Elfaki, Malaysia

Warsono, Indonesia

Raihan Othman, Malaysia

Zeng Bing Zen, China

Tjin Swee Chuan, Singapore

Khomsahrial R, Indonesia

Rony Purba, Indonesia

Hon Wei Leong, Singapore

Imad Khamis, USA

Rozlan Alias, Malaysia

Rudi Irawan, Indonesia

Gusri Ibrahim, Indonesia

Jamal I Daoud, Malaysia

Riza Muhida, Indonesia

Heri Riyanto, Indonesia

Agus Wahyudi, Indonesia

PROCEEDINGS

3rd ICETD 2014

The Third International Conference
On Engineering And Technology Development

28 -29 October 2014

STEERING COMMITTEE

Executive Advisors

Dr. M. Yusuf S. Barusman
Andala R. P. Barusman, MA.Ec

Chairman

Mustofa Usman, Ph.D

Co-Chairman

Dr. Ir. Hery Riyanto, MT
Ahmad Cucus, S.Kom., M.Kom

Secretary

Yuthsi Aprilinda S.Kom., M.Kom
Marzuki, S.Kom., M.Kom
Maria Shusanti Febrianti, S.Kom., M.Kom

Technical Committee

Robby Yuli Endra, S.Kom., M.Kom
Sofiah Islamiah, ST, MT
Fenty Ariani, S.Kom., M.Kom
Taqwan Thamrin, ST., MSc
Dina Ika Wahyuningsih, S.Kom
Agus Sukoco, M.Kom
Hj. Susilowati, ST, MT
Haris Murwadi, ST, MT

Treasure

Samsul Bahri, SE
Dian Agustina, SE

PROCEEDINGS

3rd ICETD 2014

The Third International Conference
On Engineering And Technology Development

28 -29 October 2014

ORGANIZING COMMITTEE

Chair Person

Dr. Ir. Hery Riyanto, MT

Vice Chair Person

Ahmad Cucus, S.Kom., M.Kom

Treasure

Dian Agustina, S.E

Secretary

Robby Yuli Endra, S.Kom., M.Kom

Sofia Islamiah Izhar, S.T., M.T.

Taqwan Thamrin, ST., MSc

Erlangga, S.Kom., M.Kom

Iwan Purwanto S.Kom., MTI

Special Events

Agus Sukoco, M.Kom

Dra. Yulfriwini, M.T.

Ir. Juniardi, MT

Ir. Indra Surya, MT

Ir. Najamudin, MT

Kunarto, ST. MT

IB. Ilham Malik, ST. MT

Ir.A Ikhsan Karim, MT

Usman Rizal, ST., M.MSi

Ir. Sugito, MT

Berry Salatar, S.Pd

Ayu Kartika Puspa S.Kom., MTI.

Helta Anggia S.Pd., MA

Yanuaris Yanu Darmawan SS. M.Hum

Receptionist

Indyah Kumoro K.W., S.T., IAI.

Haris Murwadi, S.T., M.T.

Transportation and Acomodation

Irawati, SE
Desi Puspita Sari, S.E
Ifa Ditta, S.E., S.T.P
Riffandi Ritonga, S.H.

Publication and Documentation

Ir. Indriati Agustina Gultom, M.M
Noning Verawati, S.Sos
Hesti, S.H
Masitoh S.Sos

Cosumption

Susilowati, S.T., M.T
Yuthsi Aprilinda S.Kom., M.Kom
Maria Shusanti Febrianti, S.Kom., M.Kom
Fenty Ariani, S.Kom., M.Kom
Reni Nursyanti, S.Kom., M.Kom
Sundari, S.Kom

Facility and Decoration

Siti Rahma Wati, S.E.
Dina Ika Wahyuningsih, S.Kom.
Arnes Yuli Vandika, S.Kom, M.Kom.
Zainal Abidin, S.E.
Ahyar Saleh, S.E.
Eko Suhardiyanto
Wagino
Sugimin

Table Of Content

No	Title	Author	Page
1	The Influence Of Implementing Information Technology On Knowledge Management Toward Performance Evaluation Using Balanced Scorecard	Sarjito Surya	1-3
2	Implementation Of Customer Relationship Management (Crm) To Automate Logging Track Record Students And Alumni	Robby Yuli Endra ^{#1} Fenti Aryani ^{*2} Septiany Dian Puspita ^{#3} Ade Kurniawan ^{*4}	4-10
3	Prototype Model Classification System Level Internal Audit Findings Based On Case-Based Reasoning In Education Quality Management	Marzuki ^{#1} Maria Shusanti Febrianti ^{*2}	11-13
4	Implementation Case Based Reasoning In Determining The Rational Prescription Of Tb Drugs	Ahmad Cucus	14-19
5	Implementation Of Workflow Management System On E-Learning Platform For The Effectiveness Of Distance Learning	Yuthsi Aprilinda ^{#1} Agus Sukoco ^{*2} Ahmad Cucus ^{#3}	20-25
6	Thermal Bioclimate For Tourism: Case Study Of Kuta, Bali Province, Indonesia	Nyoman Sugiarta ^{#1} Andreas Matzarakis ^{#2}	26-32
7	Minimum System Design Of Android Based Pstn Phone	Deo Kiatama ^{#1} Fransiscus Ati Halim ^{*2} Arnold Aribowo ^{#3}	33-38
8	The Design Of Pressing Equipment For Banana Fruit	M.C. Tri Atmodjo	39-44
9	Modelling Supply Chain Management In B2b E-Commerce Systems	Idris Asmuni	45-51
10	Extreme Programming Study Method Case Study On Designing Of Accounting Term Dictionary	Usman Ependi ^{#1} Qoriani Widayati ^{*2}	52-55
11	Review On Economic Valuation Of Solid Waste Management In Bandar Lampung, Lampung	ling Lukman ^{#1} , Diah Ayu Wulandari Sulistyaningrum ^{*2} , Taqwan Thamrin ^{#3}	56-57

No	Title	Author	Page
12	Prototype Topology Sdn For Simple Network Campus	Arnesyulivandika	58-61
13	Tsunami Force On A Building With Sea Wall	Any Nurhasanah ^{#1} Nizam ^{*2} Radianta Triatmadja ^{#3}	62-64
14	Analysis The Quality Of Website Service Information System Academic Integrated (Siater) Bandar Lampung University Using Pieces Methods	Yusinta Ria Disanda	65-71
15	Organize Bad Manual Financial Database Of Educational Organization By Bank To Decrease Financial Criminalize	Ruri Koesliandana ^{#1} Eka Imama Novita Sari ^{*2} Arnes Yuli Vandika ^{#3}	72-74
16	Design Of Lampung Bay Waterfront Using Poetic Architecture Approach	Shofia Islamia Ishar, S.T.,M.T. Muhammad Syahroni, S.T.	75-83
17	Analysis Limiting Internet Sites With The Method Using Squid Proxy Server At Smkn 1 South Rawajitu	Reni Tri Astuti	83-88
18	Effect Of Grading On Differences Using Mixed Concrete Aggregate Rough And Fine Aggregate Concrete Compressive Strength Of Natural	Yulfriwini	89-97
19	Analysis Quality Dino Tour Travel Management Website Using Webqual 4.0	Rola Hengki	98-105
20	Holonic Manufacturing System: Current Development And Future Applications	Moses Laksono Singgih	106-113
21	An Analysis Perspective Implemented Text Mining Analytics Information Extraction For Impact Of Indonesian Social Media	Agus Suryana.Mti ^{#1} Sri Ipnuwati.M.Kom ^{*2}	114-123
22	Study Of Gold Mine Tailings Utilization As Fine Aggregate Material For Producing Shotcrete Based On Concept Of Green Technology	Lilies Widojoko ¹⁾ Harianto Hardjasaputra ²⁾ Susilowati ³⁾	124-133

No	Title	Author	Page
23	Decision Support System For Determined Recommendations Lecturer Teaching Handbook Using Fuzzy	Usman Rizal ^{#1} Fenti Aryani ^{*2}	134-140
24	The Expert System Software Application On Lecture Scheduling Based On Rule Based Reasoning	Taqwan Thamrin ^{#1} Ahmad Cucus ^{*2} Adi Wijaya ^{#3}	141-144
25	Portal Website Analysis Using Iso / Iec 9126-4 Metric Effectiveness (Case Study Indonesia Wi-Fi Portal Website)	Refky Jumrotuhuda	145-149
26	Student Satisfaction Analysis Of Siater Using End User Computing Satisfaction (Eucs)	Erlangga, Jefri Krisna Putra	150-155
27	Urban Tourism Development Through Low Impact Development (Lid) Towards Green-Tourism	*Iir. Wiwik Setyaningsih, Mt *Ztri Yuni Iswati, St., Mt, *Zsri Yuliani, St., M.App.Sc.	156-161
28	Hawkers Empowerment Strategy To Promote Sustainable Economy In Surakarta	Murtantjanirahayu Rufiaandisetyanaputri	162-172
29	New Urbanism: A Comparative Analysis Between Traditional Village And Housing Estate	Bhakti Alamsyah	173-179
30	Traditional Market Revitalization As An Urban Catalyst In The City Of Surakarta	Istijabatul Aliyah #1, Bambang Setioko #2, Wisnu Pradoto #3	180-188
31	The Robinson Mall Impact On Fv And Ds In Zapa Street, Bandar Lampung City	Ida Bagus Ilham Malik Ilyas Sadad	189-195
32	Decision Support System For Mall Nutrition Using Simple Additive Weighting (Saw) Method	Reni Nursyanti Mujasih	196-200
33	Effect Of Cement Composition In Lampung On Concrete Strength	Heri Riyanto	201 - 204

No	Title	Author	Page
34	E-Archive digital storage media	Arnes yuli vandika, ade kurniawan, ari kurniawan	205 -207
35	Virtualization Technology for Optimizing Server Resource Usage	Edwar Ali, Didik Sudyana	208 – 212
36	Decision Support System (DSS) For The Determination Of Percentage Of Scholarship Quantity Based Fuzzy Tahani	Robby Yuli Endra #1, Agus Sukoco #2	213 -223
37	Evaluation of Pedestrian Way's Comfort Case Study: Jl. Z. A. Pagar Alam, Bandar Lampung	Haris Murwadi 1*, Fritz Akhmad Nuzir 2	224 - 228
38	Modification Effect Of Volume Cylinder Four Stroke Engine To Effective Power	Ir. Najamudin, MT	229-239
39	Impact Of Motor Vehicle Emissions On Air Quality In Urban And Sub Urban Area (Case Study: Bandarlampung City)	Ir. A. Ikhsan Karim, MT., Ir. Sugito, MT	240-249

THE DESIGN OF PRESSING EQUIPMENT FOR BANANA FRUIT

M.C. Tri Atmodjo #¹

BPPT Researcher

atmojo_b2tp@yahoo.com

ABSTRACT

The Banana plants in Indonesia can grow well both high and lowland, from the temperate wet and dry climate. In addition to the consumption of fresh banana in Indonesia a few cultivars are also widely used as industrial raw material chips, "*sale pisang*" and banana flour. Many craftsmen who developed food banana in the form of sale due to ease in the manufacturing process. Making banana sale in the domestic industrial scale is still mostly done by hand which is only capable of producing 20 kg / hour in the form of processed banana fruit in banana sale. So many craftsmen maker banana sale household scale industries can not buy banana in large numbers. In the manufacture of sale of banana is done manually are still many shortcomings, which measure the thickness of the sale of banana produced uneven.

In general, pressing machine banana sale is a tool that changes the shape of banana from thick to thin size. By utilizing the roll rotation that drives the conveyor belt top and conveyor belt bottom of the moving direction. In this study is designed pressing sale banana tool driven electric motor with power 2 hp 1 phase with a speed of 1400 rpm. With a shaft diameter of 25 mm, the size of the pegs 10x22 mm with a depth of 5 mm. Gear is used in this reduction type where a large number of gear as much as 115 teeth, gear motor driver as much as 9 teeth and roll gear driver as much as 15 teeth. Bearings used in the manufacture of this pressing banana sale tool is bearing 6305 ZZ C3 P6 type.

Resulting of test manufacturing pressing banana sale tool conducted showed that the pressing machine capable flattens banana sale with an average size of 10.16 cm in length banana sale, with 3.3 cm and 0.36 cm thick with a capacity of 90 Kg/hour or in day (7 hour) machine capable of pressing flattens banana sale much as 630 Kg/day.

Key words : Banana plants, pressing, machine design, Sale pisang.

I. INTRODUCTION

1.1 Background

The Crop of Banana in Indonesia can grow well in lowland which have wet climate and also have dry climate. Its fruit present every time and not depend to season, its spreading area almost in all of Indonesia. Banana represent one of the pre-eminent fruit commodity in Indonesia. Banana crop production always occupy first position. Banana production most harvested from people field. Beside for fresh

consumption, some banana variety in Indonesia are also exploited with industry of banana for example industry of banana chips, banana flour and fermented banana (FB) or Banana Sale (BS).. Banana containing many mineral and vitamin of essential which is very good for health. Development of banana commodity in Indonesia is fair enough, good to fulfilling request of domestic market and also world market. With amount of resident more than 200 million (BPS, 2010) in Indonesia, request of banana in domestic market not only limited to fresh banana, quite a few request in the form of processed banana (flaky, FB, banana pasta). The Main Competitor state for Indonesia in exporting banana is Ekuador, Philipina, and Colombia. Province which represent one of the producer of biggest banana is Sumatra area with amount of banana production equal to 349,928 ton / year (Suyanti, 2008). Banana type which found many in area is banana type of ambon, raja sere, muli, kapas, lilin and mas.

With amount of high banana production from all farmer of banana many industrial house of making of banana sale sometimes not ready to buy banana of farmer in number which many that thing is because of is tardy of him process workmanship of banana sale. Tardy [of] him of [is] process of banana sale because of worker of maker of banana sale still a lot use appliance manually or in making of banana sale still use hand for pressing of banana sale. By pressing process of banana sale have weakness that is low productivity level with result 20 kg/hour. This matter push researcher to design an appliance for pressing of banana sale with expected home industry scale later this appliance can quicker the process of banana sale so that can increase product in making of banana sale.

1.2. objectives

1. To design appliance for pressing banana sale or *Sale Pisang* with capacities 90 Kg /hour,
2. To increase the production of banana sale in home industry.

II. MATERIALS AND METHOD

II.1 Type of research

Research type taken is design and making prototype of banana sale pressing machine and analysis the number of banana sale pressed by the pressing machine.

II.2 Time and research place

This research was conducted on 25 of April to 1st of August 2010 in workshop of countryside of Selapan, District Of Candipuro South of Lampung.

II.3 Variables

1. Tied Variable

Tied variable at making of appliance of this banana sale is machine capacities in making banana sale (“Sale pisang”).

2. Free Variable

Free variable at making of appliance of this banana sale is energy and rotation yielded by activator motor

3. Controlling Variable

Variable in control [at] making of appliance of this banana sale [is] appliance form pressing of banana sale and raw material making of banana sale

4. Step of research

Research step in making of machine pengepres of this banana sale divided to become some phase among others [done/conducted] activity step before designing pressing appliance of banana sale, ready [of] materials and appliance to make pressing machine of banana sale, data analysis and method intake of data.

5. Bibliography Study

That is by studying and taking considerations of literatures related to problem of scheme, good in the form of book, media a period of/to, and source of from internet

6. Field Study

Accurate directly process pengepresan of [done/conducted] banana sale by manual or [do] not use machine.

7. Quantitative Analysis

In this analysis of data elaborated in the form of clear numbers as according to usefulness, so that can give meaning to data. To get capacities of pressing machine of banana sale used by equation

$$Q = \frac{M}{t} (kg / dtk)$$

Where

Q = Capacities of machine pengepres of banana sale (kg / sec)

M = Weight of banana sale to be processing (kg)

t = Time used in pressing of banana sale (sec.)

III. RESULT AND DISCUSSION

In designing of pressing appliance of banana sale used equation of energy and torque (Sularso, 1997), to design axis, launching and pad to be used. Electromotor which is used in scheme of pressing appliance of this banana sale is electromotor with power 2 HP , used 220 volt of voltage and 1400 rpm.

The gear system in this research showed in table 1.

Table 1. Gear system

No	Name of gear	Diameter	Weight	Number of tooth in gear	Number of gear
1	Gear of main motor	3 cm	0,2 kg	9	1
2	Main gear	30 cm	2 kg	115	1
3	Little gear	6,5 cm	0,3 kg	15	4

1. Operation Motor

By the data on table 1, the force available on each gear calculated by the equations below respectively.

$$F_1 = (0,2kg) \times (9,81m/sec^2) = 1,96N$$

$$F_2 = (2kg) \times (9,81m/sec^2) = 19,62N$$

$$F_3 = (0,3kg) \times (9,81m/sec^2) = 2,94N$$

The torque as the result from force of all gear calculated as following.

$$T = F_1 \times r_1 + F_2 \times r_2 + F_3 \times r_3$$

$$T = (1,96 \times 0,015) + (19,62 \times 0,15) + (2,94 \times 0,0325 \times 4)$$

$$= 0,029 + 2,943 + 0,382$$

$$= 3,354kg.m$$

$$= 3354kg.mm$$

The power from the motor calculated as following.

$$P = \frac{2 \times \pi \times n \times T}{60}$$

$$= \frac{2 \times 3,14 \times 1400 \times 3,354}{60}$$

$$= 491,47Watt$$

$$= 0,491KW$$

2. The Shaft

The plan of Power with corection factor 1,2 as following.

$$\begin{aligned}
 P_d &= f_c \cdot x p \\
 &= 1,2 \times 1,492 \\
 &= 1,790 \text{ KW}
 \end{aligned}$$

The shear stress as following.

$$\begin{aligned}
 \tau_a &= \sigma_B / (s f_1 \cdot x s f_2) \\
 &= 58 / (6,0 \times 3,0) \\
 &= 3,222
 \end{aligned}$$

The Diameter of shaft calculated as following

$$\begin{aligned}
 d_s &= \left[\frac{5,1}{\tau_a} \cdot x k_t \cdot x c_b \cdot x T \right]^{1/3} \\
 &= \left[\frac{5,1}{3,222} \cdot x 1,5 \cdot x 1,7 \cdot x 3354 \right]^{1/3} \\
 &= [1,582 \cdot x 1,5 \cdot x 1,7 \cdot x 3354]^{1/3} \\
 &= 23,83 \text{ mm}
 \end{aligned}$$

According to table number 4 so 25 mm diameter with 600 mm long is suitable for this shaft.

3. The dowel

The tangensial force calculated as following.

$$\begin{aligned}
 F &= \frac{T}{(d_s / 2)} \\
 &= \frac{3354}{(25 / 2)} \\
 &= \frac{3354}{12,5} = 268,32 \text{ kg}
 \end{aligned}$$

The shear stress calculated as following.

$$\begin{aligned}
 \tau_k &= \frac{F}{b \cdot x l} \\
 3,2 &= \frac{268,32}{b \cdot x l}
 \end{aligned}$$

By b value is 10 mm and so :

$$b \cdot x l = \frac{268,32}{3,2}$$

$$b \cdot x l = 83,85$$

$$l = \frac{83,85}{10} = 8,38 \text{ mm}$$

The allowable shear stress is 3.2 there fare :

$$\tau_{ka} \geq \frac{F}{b \cdot x l_1}$$

$$3,2 \geq \frac{268,32}{10 \cdot x 8,38}$$

$$3,2 \geq 3,2$$

The allowable pressure in the dowel for small size of diameter is 8 kg/mm² (Sularso, 1997) so :

$$p = \frac{F}{l \cdot x (t_1 + t_2)}$$

$$8 = \frac{268,32}{8,38 \cdot x t_1}$$

$$t_1 = \frac{268,32}{8,38 \cdot x 8}$$

$$t_1 = \frac{268,32}{67,04} = 4 \text{ mm}$$

And then :

$$p_a \geq \frac{F}{l \cdot x (t_1 + t_2)}$$

$$8 \geq \frac{268,32}{8,34 \cdot x 4}$$

$$8 \geq \frac{268,32}{33,52}$$

$$8 \geq 8$$

By table number 5 is got that the dimension of the dowel is width b 10 mm, long l 22 mm and dept t₁ 5 mm respectively

4. Ball bearing

The ball bearing used is. 6305 ZZ C3 P6 (sularso, 1997) 6 expressing single line ball pad [of] path in 3 abbreviation from 03, where 3 external diameter showe 52 mm for the diameter of hole 25 mm.

05 meaning 05 x 5 = 25 mm, hole diameter

ZZ mean bersil 2
 C3 [is] diffuseness of C3
 P6 mean correctness class:

5. Gear

The Gear at scheme of pressing machine of this banana sale is diametrical gear, where for used by small gear of motor gear with amount of tooth 15 big gear and with amount of tooth counted 115.

6. Transmission chain

Transmission chain which [is] used [at] scheme of pressing appliance of this banana sale is enchaining type motor of F 10, with specification of from enchaining activator there are at Tables 7:

Tables 2. Specification of chain

Name of part	Size
Number of chain	40 (one set)
Distance (P)	12,70 mm
Diameter of rol (K)	7,94 mm
Wide of rol (W)	7,95 mm
Diameter of pen chain (D)	3,97 mm
Distance between axis	200 mm

7. The Rotation of Axis

$$i = \frac{z_1}{z_2}$$

$$= \frac{9}{115} = 0,078$$

where:

$$n_1 = 1400 \times 0,078$$

$$= 109,2rpm$$

$$= 1,82rps$$

8. Belt Conveyor

This belt conveyor made from ruber to keep banana sale to be clean.

Table 3. Belt Conveyor (upper part)

Material	Length	Wide	Thickness
Made of ruber	136 cm	30 cm	0,5 cm

Tabel 4. Belt conveyor (lower part)

Material	Length	Wide	Thickness
Made of ruber	184 cm	30 cm	0,5 cm

9. Spacer of thickness

Spacer of thickness would arrange thick attenuate banana sale at the pressing time. This spacer attached at roll so that apart between roll can change according to the size wanted. This component is made from axis which is fill into roll and then bound to use bolt to framework.

10. The Dimension of Banana Sale pressing machine

The dimension of Banana Sale pressing machine presented in figure 1.

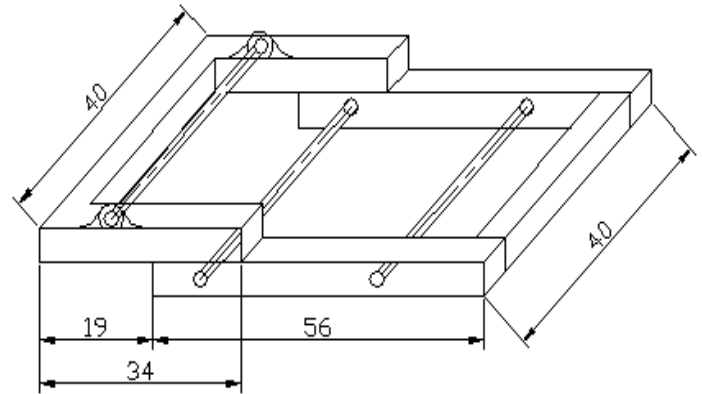


Fig 1. The Top part of Frame

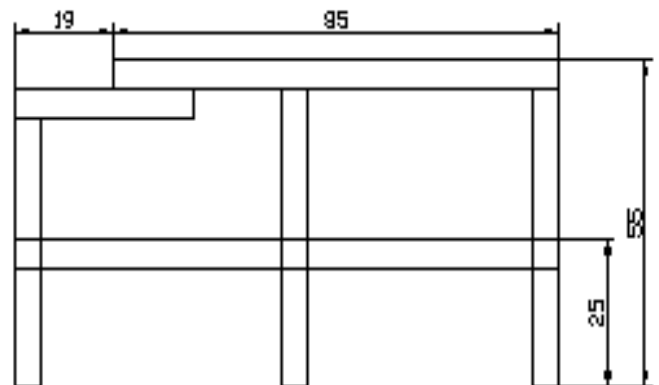


Fig 2. The Bottom part of frame

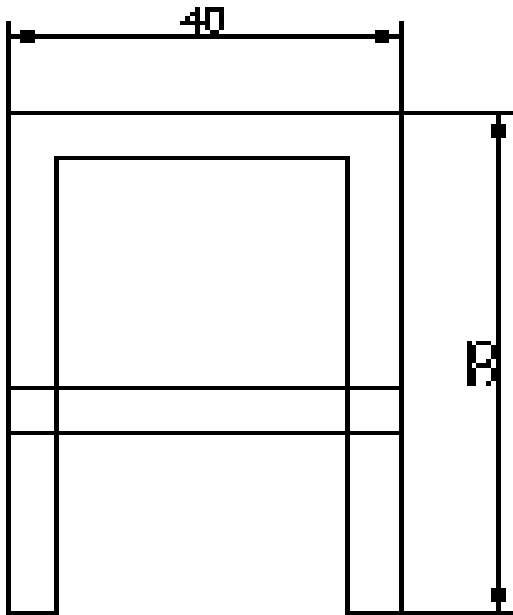


Fig 3. The Front view of frame

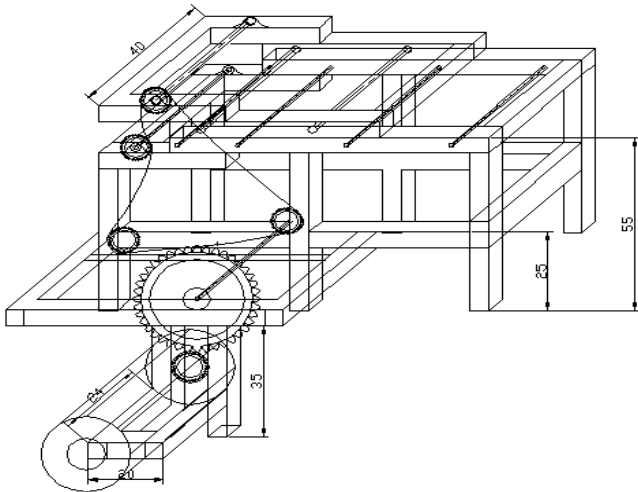


Fig 4. The Pressing Machine of banana sale

Tabel 6. The dimension of banana mas after processing.

No	length	width	thickness
1	10 cm	3,3 cm	0,4 cm
2	9,8 cm	3 cm	0,4 cm
3	10,2 cm	3,5 cm	0,4 cm
4	10,3 cm	3,3 cm	0,4 cm
5	10,5 cm	3,4 cm	0,4 cm
Mean	10,16 cm	3,3 cm	0,4 cm

Table 7. The result of trial run

No	Weight of banana	Pressing time (sec.)
1	1 kg	40,09
2	1 kg	39,82
3	1 kg	40,08
4	1 kg	40,10
5	1 kg	39,91
Mean	1 kg	40

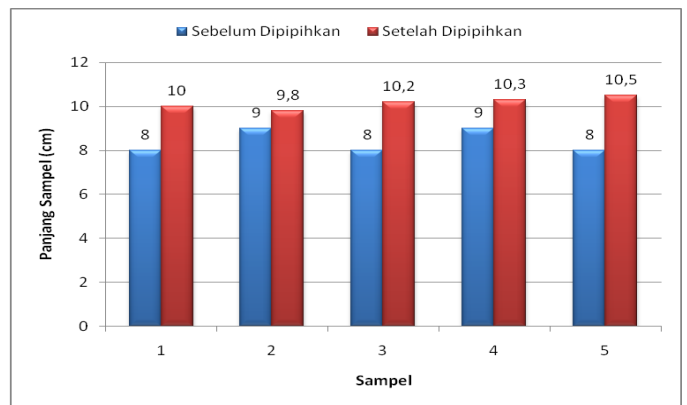


Fig 5 . Length of banana before pressing (blue) and after pressing (red)

11. Result of trial run

Table 5. The dimension of banana mas before processing.

No	length	width	thickness
1	8 cm	2,5 cm	1,5 cm
2	9 cm	2,7 cm	1,5 cm
3	8 cm	2,5 cm	1,2 cm
4	9 cm	2,5 cm	1,2 cm
5	8 cm	2,2 cm	1 cm
Mean	8,4 cm	2,48 cm	1,28 cm

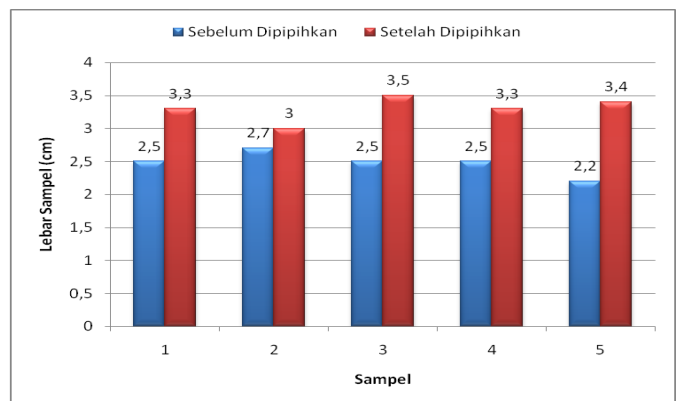


Fig. 6. Width of banana before pressing (blue) and after pressing (red)

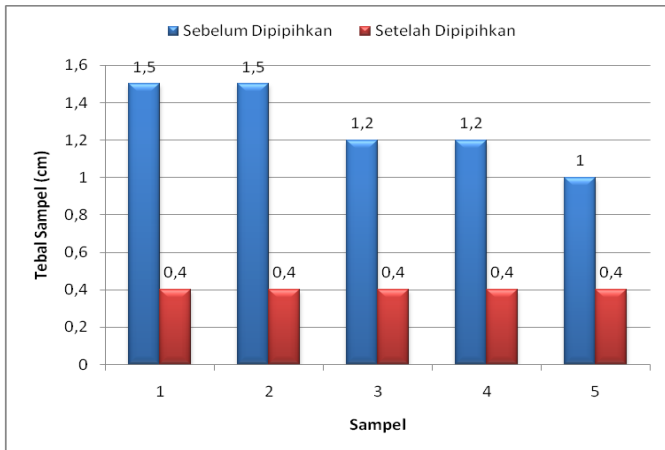


Fig. 7. The tickness of banana before pressing (blue) and after pressing (red)

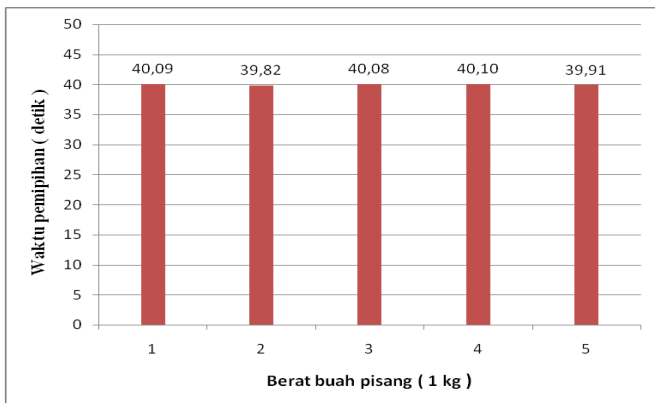


Fig. 8. Time of pressing (second)

12. Capacity of pressing machine

$$Q = \frac{M}{t}$$

$$= \frac{1kg}{40sec} = 0,025kg / sec$$

or

$$Q = (0,025kg / sec) \times (3600 sec)$$

$$= 90kg / hour$$

or

$$Q = (90kg / hour) \times (7hour / day)$$

$$= 630kg / day$$

Capacity of pressing banana sale by worker with hand only 140 kg/day and not so clean as by pressing machine respectively.

IV. CONCLUSION

1. With result of conducting the examination showed that the capacities of pressing machine in making banana sale can produce 90 kg /hour or in one day (7 hour/day] yielding 630 kg / day
2. Result of examination of showed that pressing machine of banana sale can press with length 10,5 cm, wide 3,5 cm and thick 0,4 cm.
3. The design of this pressing machine of this banana sale use equation of Sularso (1997) to determine axis diameter, ball bearing and dowel .The type ball bearing is 6305 ZZ C3 P6, axis diameter 25 mm and wide of dowel of equal to 10 mm, with length equal to 22 mm and deepness of dowel equal to 5 mm.

V. REFERENCE

- Budiman, A and Bambang Priambodo., 1994. *Elemen mesin Edisi kedua jilid I*.Erlangga, Jakarta
- Candra, H., 2001. *AutoCAD 2002 untuk pemula*. Alex Media Komputindo, Jakarta.
- Juanda T., 2002. *Konveyor Sabuk dan Peralatan Pendukung*. PT. Junto Engineering, Bandung.
- Malahayati., 2008, *Pedoman Penulisan Proposal, Tugas Akhir (skripsi) Dan Laporan Kerja Praktek*. Universitas Malahayati, Bandar Lampung.
- Petruzella, F.D., 2007. *Elektronik Industri*. Andi, Yogyakarta.
- Rohyana, S., 1999. *Perhitungan Kontruksi Mesin*. Amirco, Bandung.
- Rusmadi, D., 1991. *Aneka Hoby Elektronika*. Pionir jaya, Bandung.
- Shigley, J and Larry D., Mitchel., Gandi harahap., 1995. *Perancangan Teknik Mesin Edisi Keempat Jilid 2*. Erlangga. Jakarta.
- Sukrisno, U., 1983. *Bagian-bagian Mesin dan Merencana*. Erlangga, Jakarta.
- Sularso dan Kiokatsu S., 1997. *Dasar Perencanaan dan Pemilihan Elemen Mesin*. Pradnya paramitha, Jakarta.
- Suyanti., 2008. *Pisang budidaya, pengolahan, dan prospek pasar*. Penerbit Swadaya, Jakarta.

PROCEEDINGS

3rd ICETD 2014



Hosted By :
Faculty of Engineering and Faculty of Computer Science
Bandar Lampung University, Indonesia